

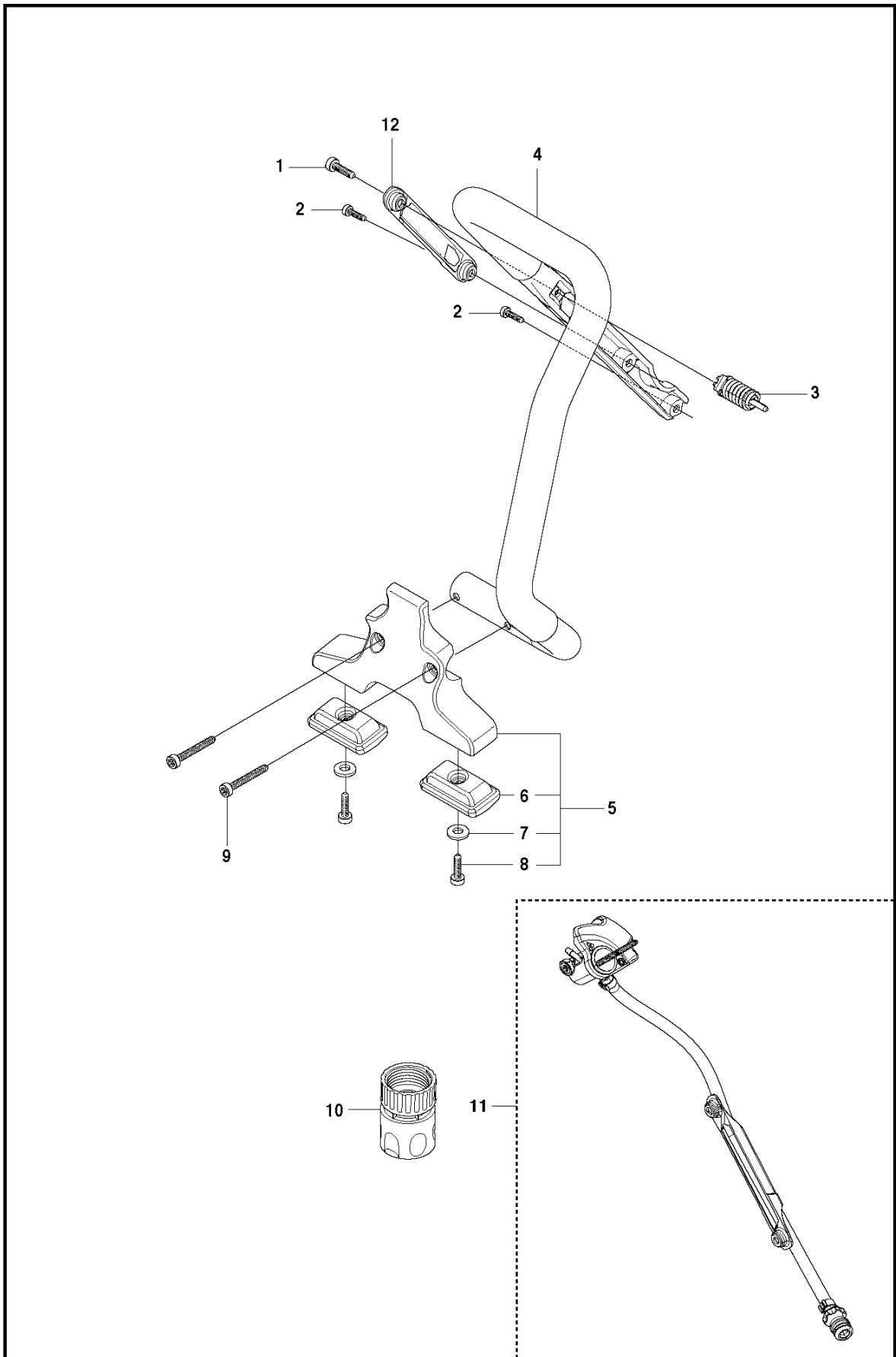
**SPARE PARTS CATALOGUE**  
**POWER CUTTERS: HUSQVARNA K 970**

Spare Parts List

# **SPARE PARTS LIST**

POWER CUTTERS

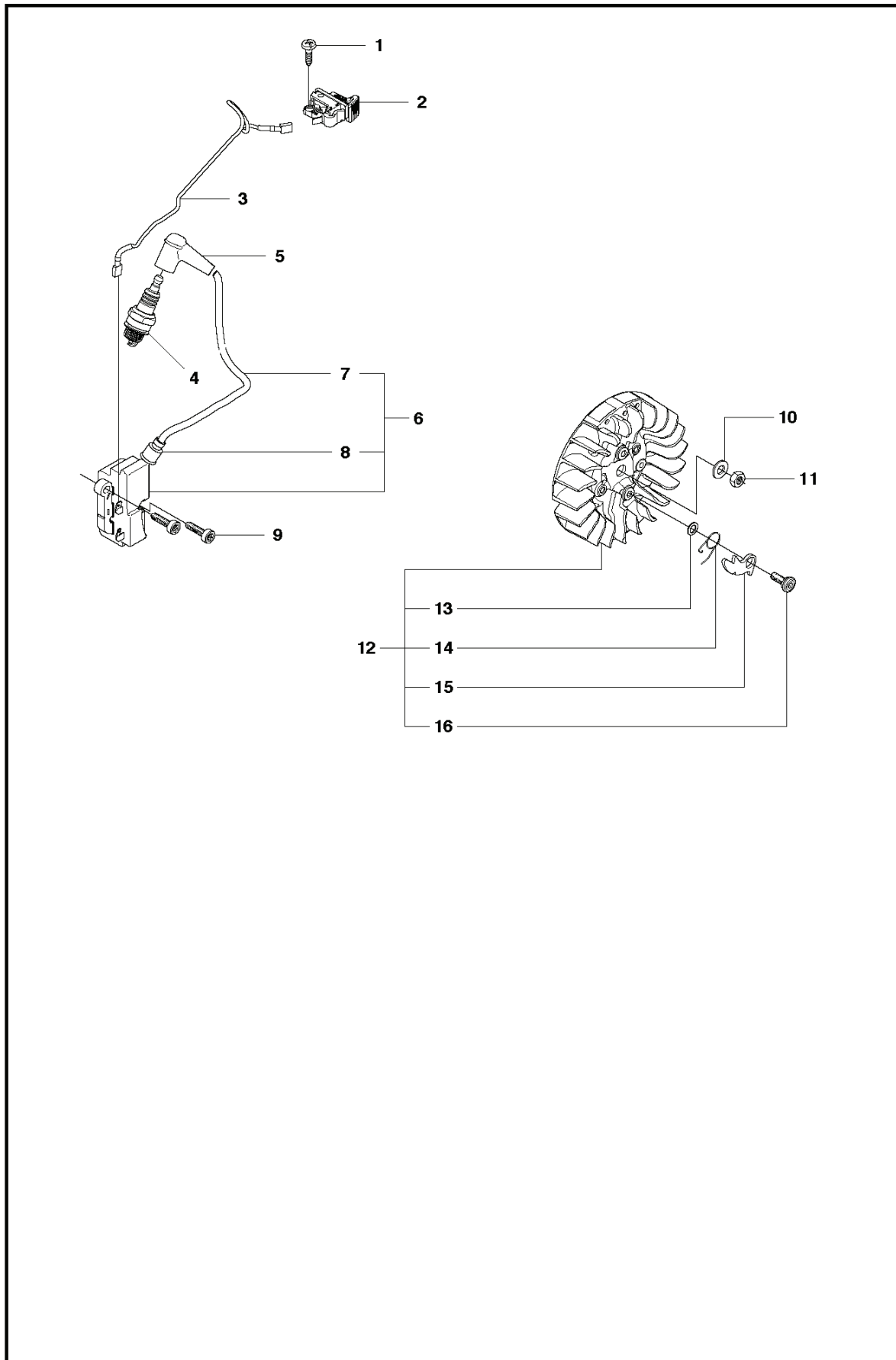
HUSQVARNA K 970



## POWER CUTTERS

---

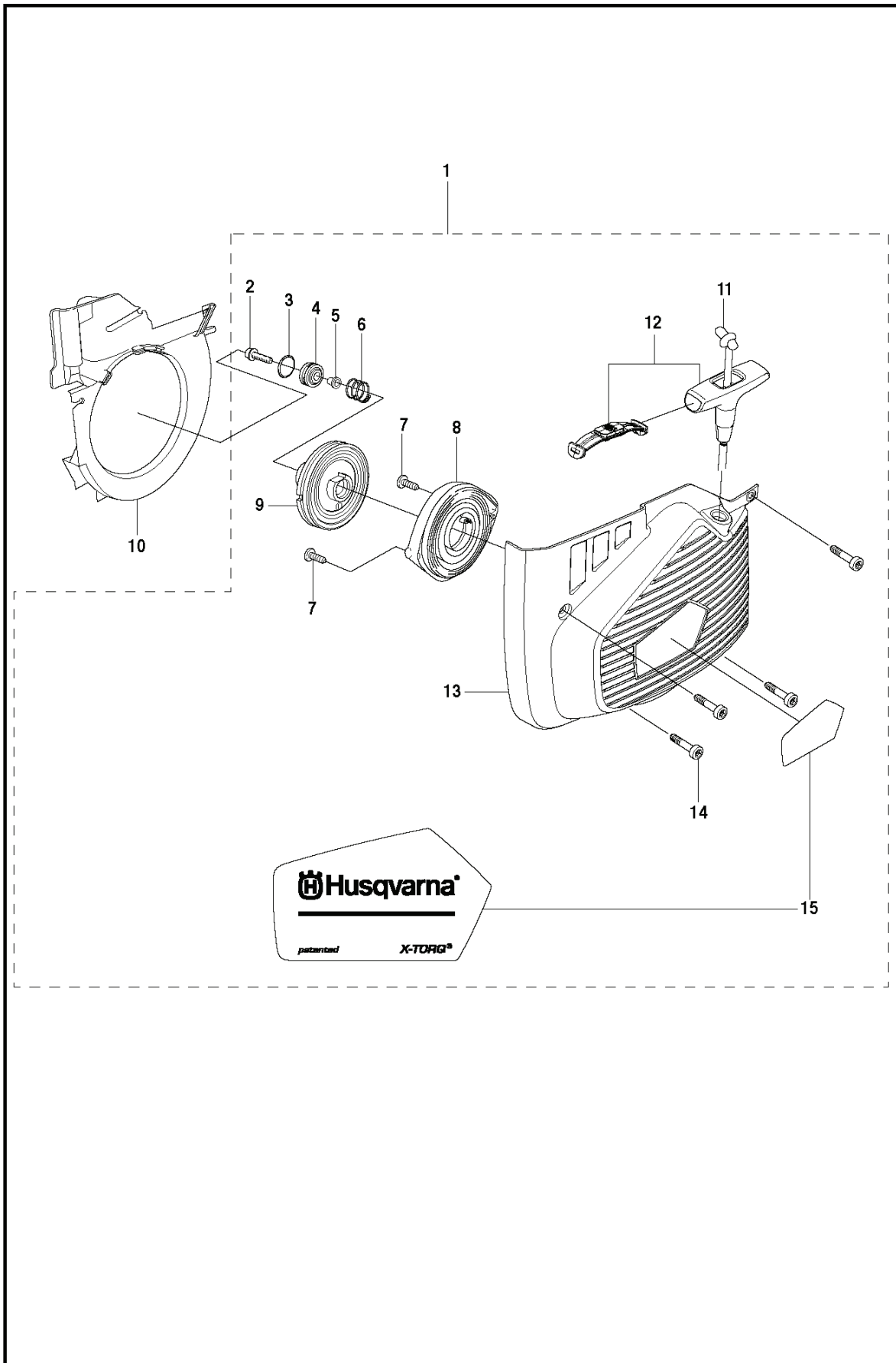
PXM_REF	PXM_PARTNO	DESCRIPTION	PXM_REMARK	QTY.
1	544061201	SCREW ITXSCM		1
2	503215420	SCREW ITXSCT		2
3	585905601	ANTIVIBRATION ELEMENT		1
4	505268901	HANDLE		1
5	544891503	GROUND SUPPORT		1
6	544811601	BASE		2 5
7	734114741	WASHER		2 5
8	503215312	SCREW ITXSCM		2 5
9	503215445	SCREW ITXSCT		2
10	503266003	COUPLER	"1/2""	1
10	503266004	COUPLER	"GHT 3/4""	1
11	581476202	HOSE KIT		1
12	585019901	HOSE GUARD		1



## POWER CUTTERS

---

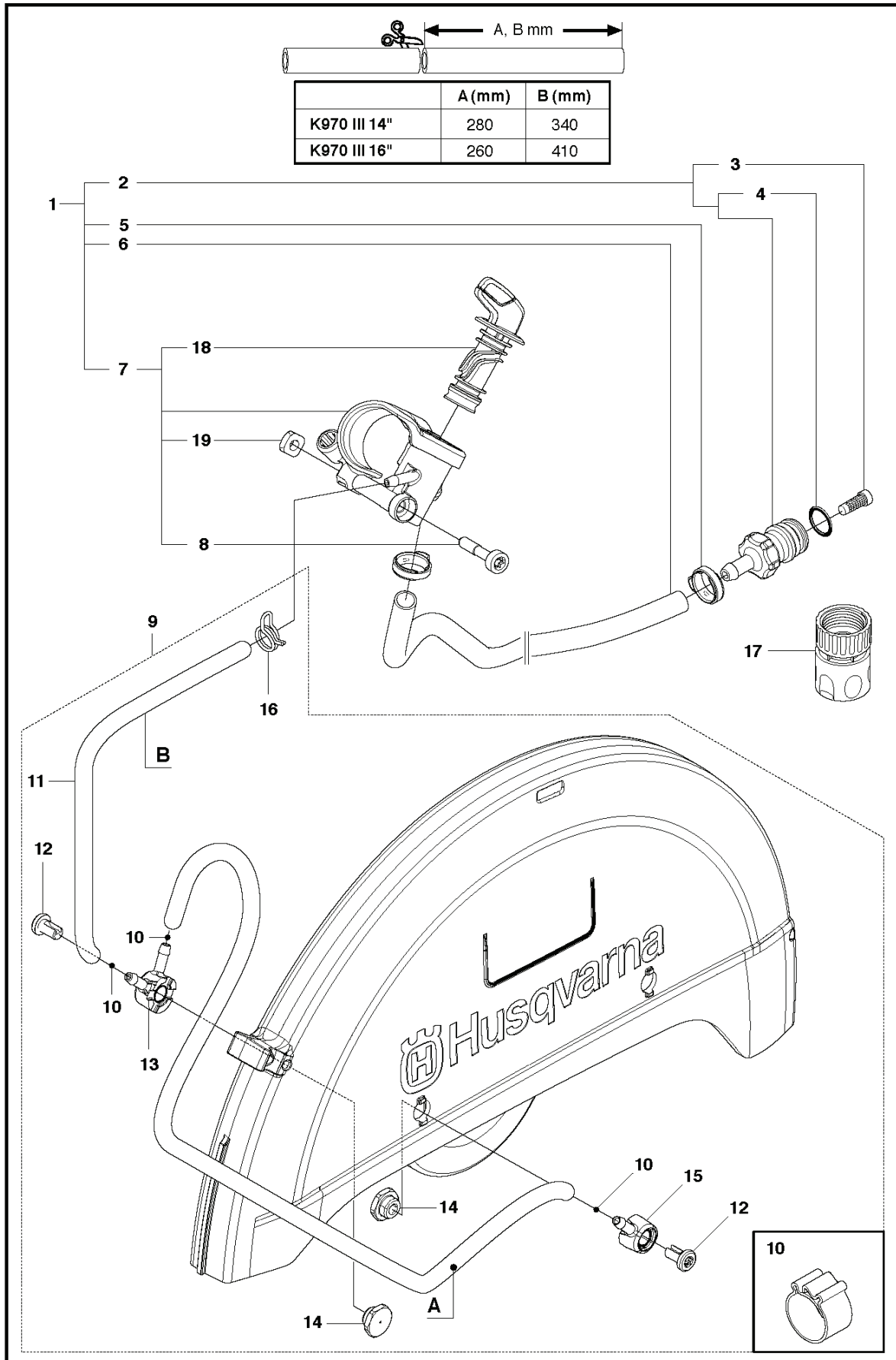
PXM_REF	PXM_PARTNO	DESCRIPTION	PXM_REMARK	QTY.
1	525887403	SCREW CITXPANT		1
2	506318604	STOP SWITCH		1
3	501839801	CABLE		1
4	503235111	SPARK PLUG		1
5	501485402	SPARK PLUG CAP		1
6	580380502	IGNITION MODULE		1
7	506387834	IGNITION CABLE		1 6
8	505277516	CABLE SLEEVE		1 6
9	503215320	SCREW ITXSCM		2
10	503230101	WASHER		1
11	503221011	HEXAGON NUT		1
12	501375602	FLYWHEEL		1
13	503230042	WASHER		2 12
14	501634801	SPRING		2 12
15	501673203	PAWL		2 12
16	506006901	SCREW		2 12



POWER CUTTERS

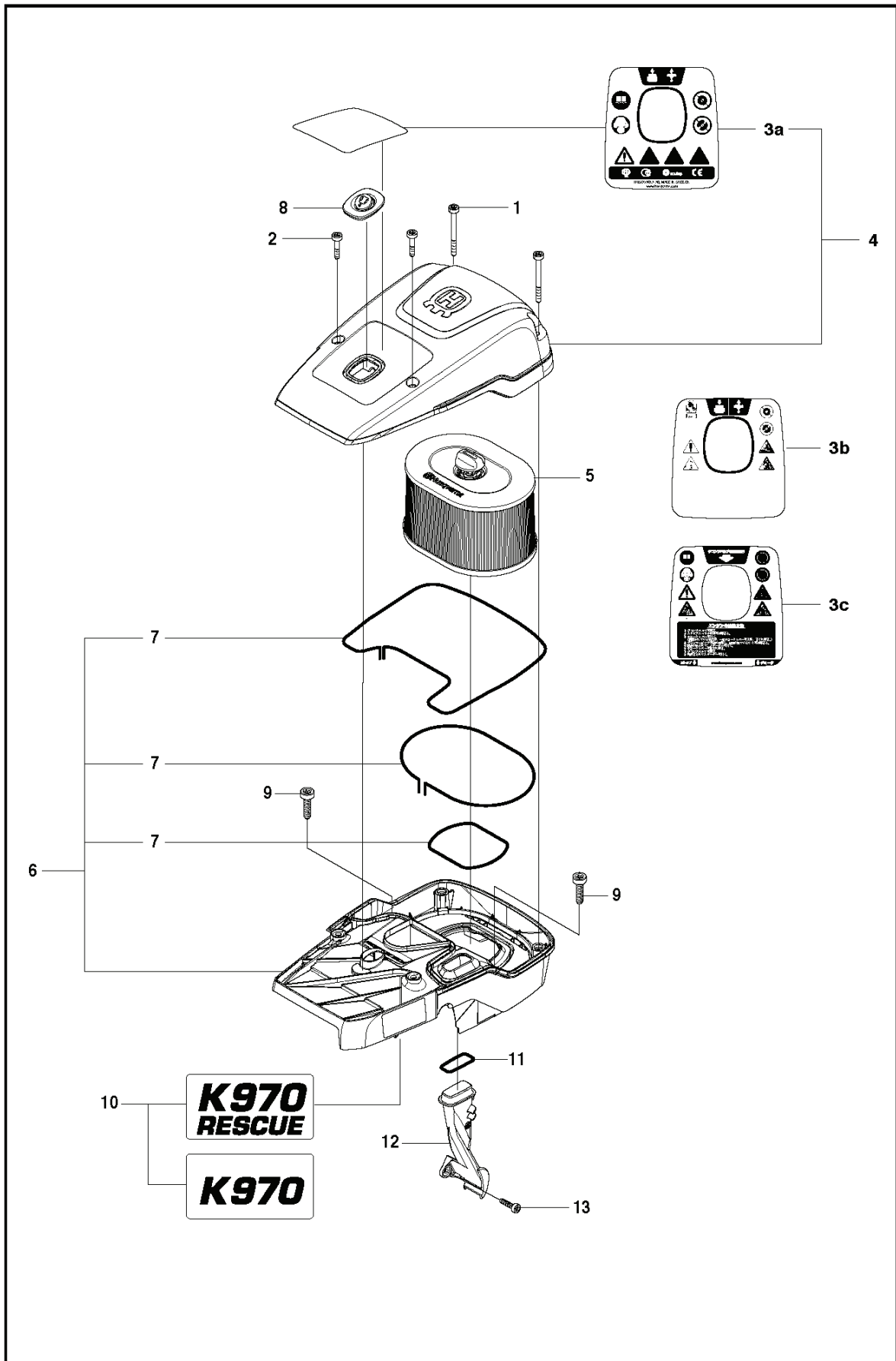
PXM_REF	PXM_PARTNO	DESCRIPTION	PXM_REMARK	QTY.
1	574507310	STARTER ASSY		1
2	503210722	SCREW IHSCT		1 1
3	740431300	O-RING		1 1
4	506251401	GROMMET		1 1
5	506263101	SPACING SLEEVE		1 1
6	506253001	COMPRESSION SPRING		1 1
7	525887402	SCREW CITXPANT		2 1
8	506258901	RECOIL SPRING		1 1
9	506258103	STARTER PULLEY		1 1
10	544287502	AIR CONDUCTOR		1
11	506335615	CORD		1 1
11	506335650	STARTER CORD	Coil 50m	1 1
12	584257901	STARTER HANDLE ASSY		1 1
13	505349402	STARTER COVER		1 1
14	501981020	SCREW ITXSCM		4 1
15	525571101	DECAL		1 1





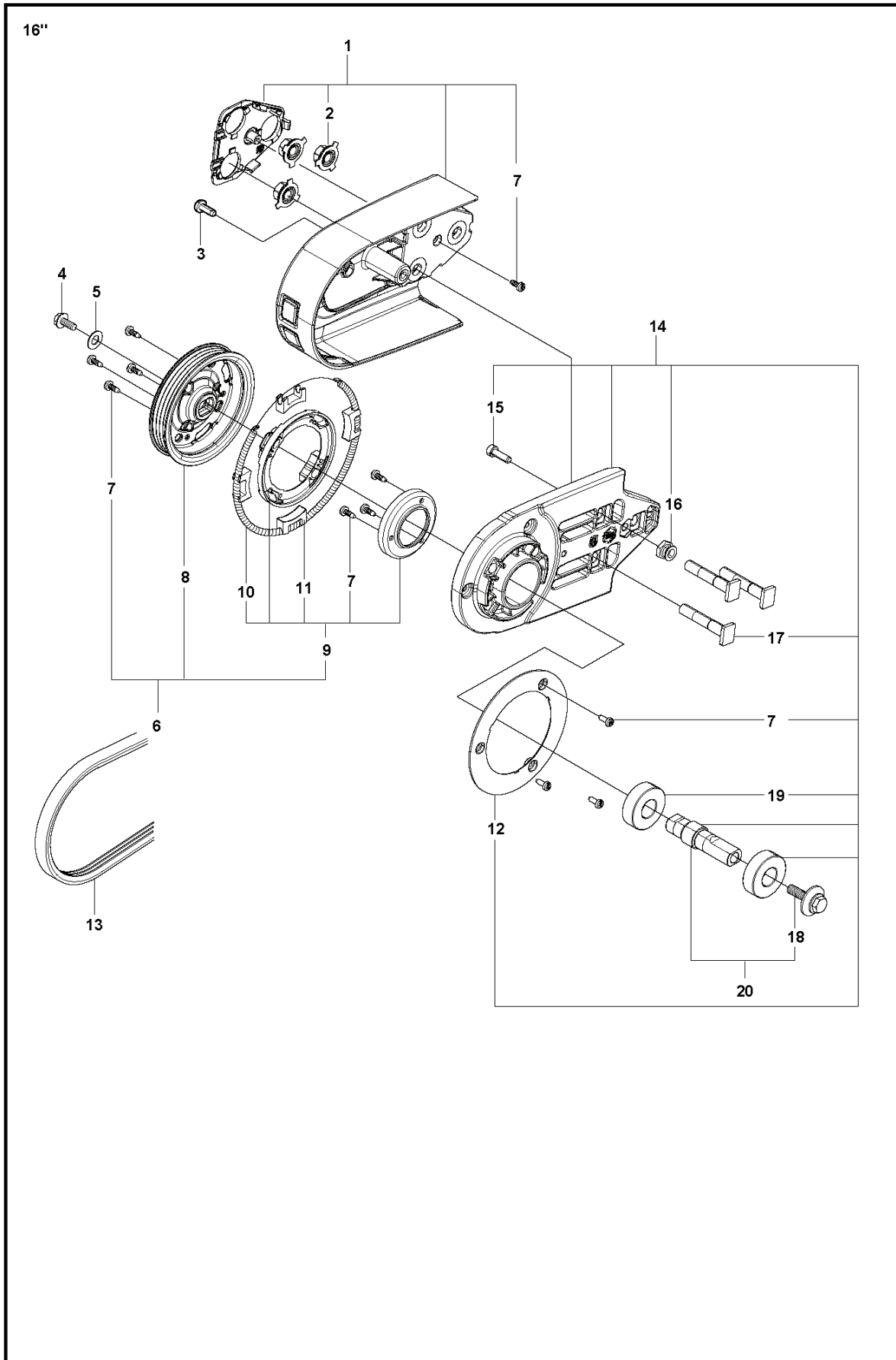
POWER CUTTERS

PXM_REF	PXM_PARTNO	DESCRIPTION	PXM_REMARK	QTY.
1	581476206	HOSE KIT		1
2	581478302	NIPPLE		1 1
3	506298801	FILTER		1 1
4	505103501	O-RING		1 1
5	589638601	HOSE CLAMP		2 1
6	578198102	HOSE		1 1
7	578243302	VALVE ASSY		1 1
8	503215341	SCREW ITXSCM		1 1
9	581721501	HOSE KIT		1
10	506498703	HOSE CLAMP		3
11	578198305	HOSE	800mm	1
12	504634601	SCREW ITXSCM		2
13	578190701	HOUSING		1
14	576798401	NIPPLE		2
15	578190801	HOUSING		1
16	583833001	HOSE CLAMP		1
17	503266003	COUPLER	"1/2"	1
17	503266004	COUPLER	"GHT 3/4"	1
18	581357001	LEVER ASSY		1 1
19	503226504	SQUARE NUT		1 1



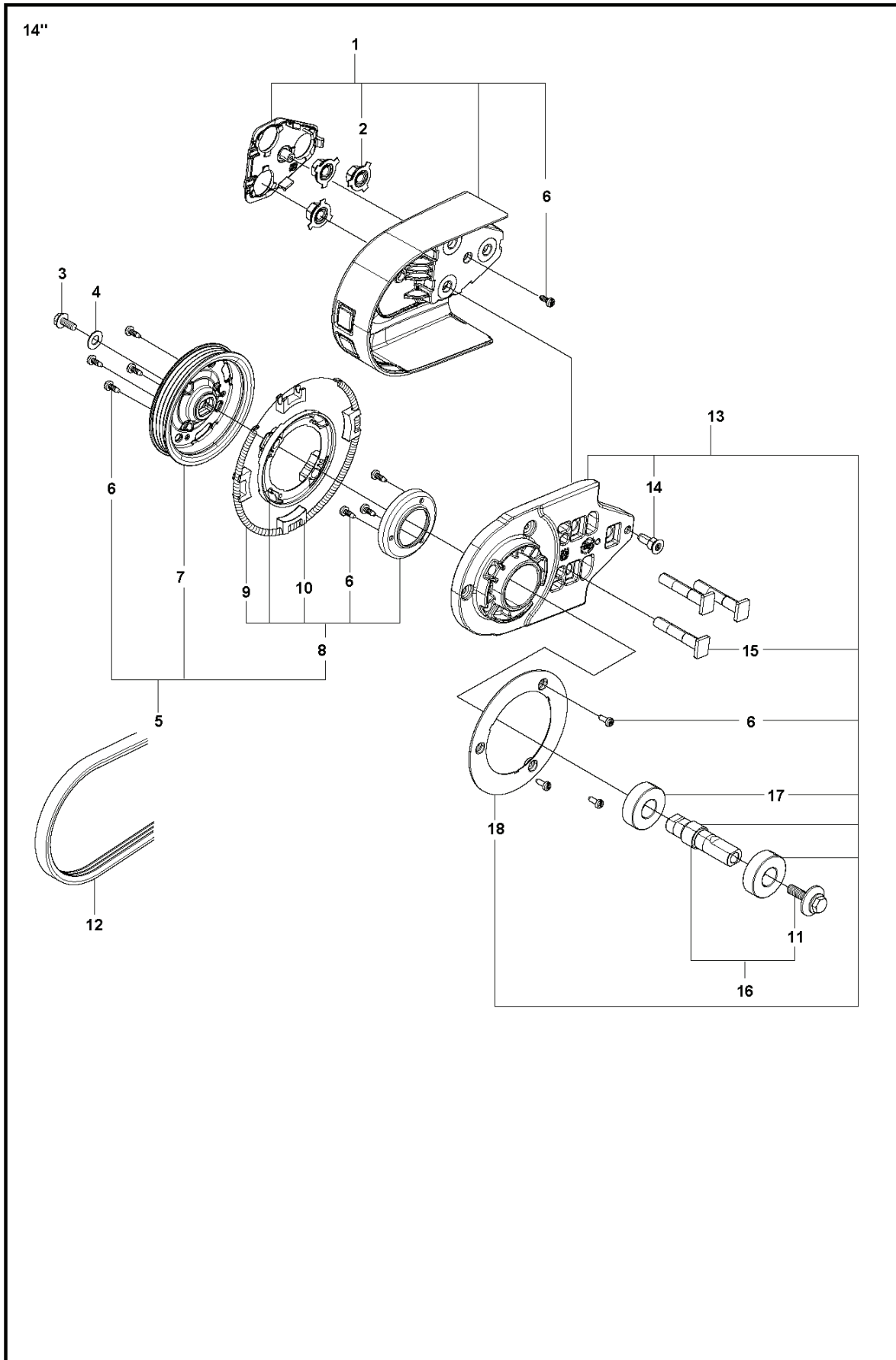
POWER CUTTERS

PXM_REF	PXM_PARTNO	DESCRIPTION	PXM_REMARK	QTY.
1	503215356	SCREW ITXSCM		2
2	503215326	SCREW ITXSCM		2
3a	584913304	DECAL		1 4
3b	584913305	DECAL	US, CA, MEX	1
3c	584913303	DECAL	JP	1
4	587005101	FILTER COVER ASSY		1
5	510244101	AIR FILTER		1
6	586356401	CYLINDER COVER ASSY		1
7	525617004	SEALING		3 6
8	585428301	PLUG		1
9	503215330	SCREW ITXSCM		2
10	525571601	DECAL		1
10	525571602	DECAL		1
11	740482003	O-RING		1
12	525571702	AIR NOZZLE		1
13	501981001	SCREW ITXSCM		1



POWER CUTTERS

PXM_REF	PXM_PARTNO	DESCRIPTION	PXM_REMARK	QTY.
1	501057104	BELT GUARD	"16"	1
2	586743701	NUT WASHER		3 1
3	501981020	SCREW ITXSCM		1
4	503200045	SCREW EHHFM		1
5	503230116	WASHER		1
6	586307002	PULLEY ASSY		1
7	525887402	SCREW CITXPANT		11 1
8	584439401	PULLEY		1
9	505445405	CASSETTE		1 9
10	544441001	DRAW SPRING		1 9, 10
11	544440402	BRAKE SHOE		4 9
12	586801001	SLIP RING HOLDER		1 10
13	544976307	BELT	"16"	1 10
14	588992002	BEARING HOUSING ASSY	"16"	1
15	505574116	SCREW ITXSCM		1 15
16	586416901	STOP		1 15
17	503875402	BAR BOLT		3 15, 23
18	588655701	SCREW		1 15
19	583953301	BALL BEARING		2 15
20	588992401	SHAFT		1 15

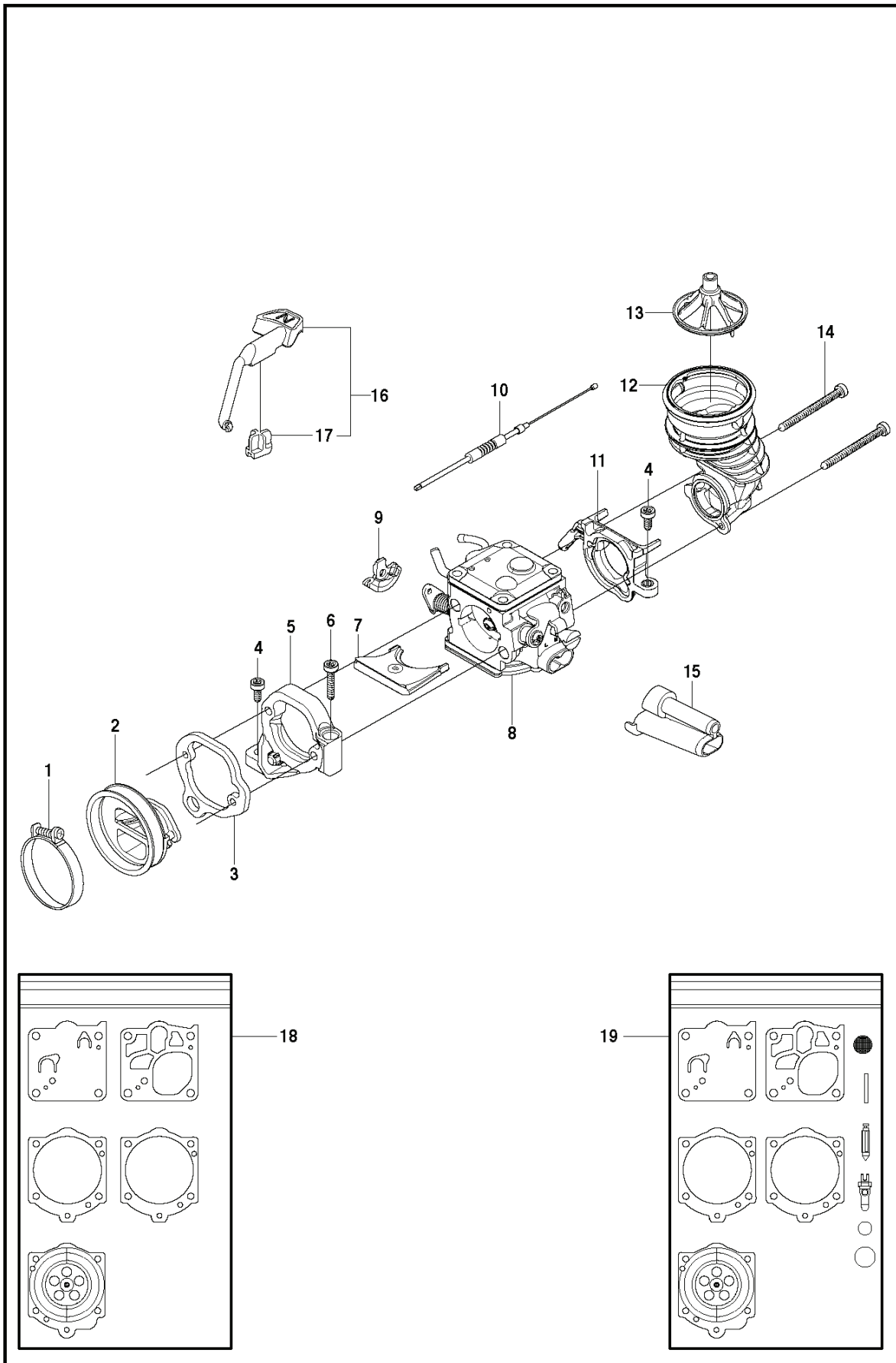


## POWER CUTTERS

---

PXM_REF	PXM_PARTNO	DESCRIPTION	PXM_REMARK	QTY.	
1	501057103	BELT GUARD	"14"	1	
2	586743701	NUT WASHER		3	1
3	503200045	SCREW EHI-FM		1	
4	503230116	WASHER		1	
5	586307002	PULLEY ASSY		1	
6	525887402	SCREW CITXPANT		11	1
7	584439401	PULLEY		1	
8	505445405	CASSETTE		1	9
9	544441001	DRAW SPRING		1	9, 10
10	544440402	BRAKE SHOE		4	9
11	588655701	SCREW		1	10
12	544976304	BELT	"14"	1	10
13	588992001	BEARING HOUSING ASSY	"14"	1	15, 23
14	584994301	SCREW		1	15
15	503875402	BAR BOLT		3	15
16	588992401	SHAFT		1	15
17	583953301	BALL BEARING		2	
18	586801001	SLIP RING HOLDER		1	15

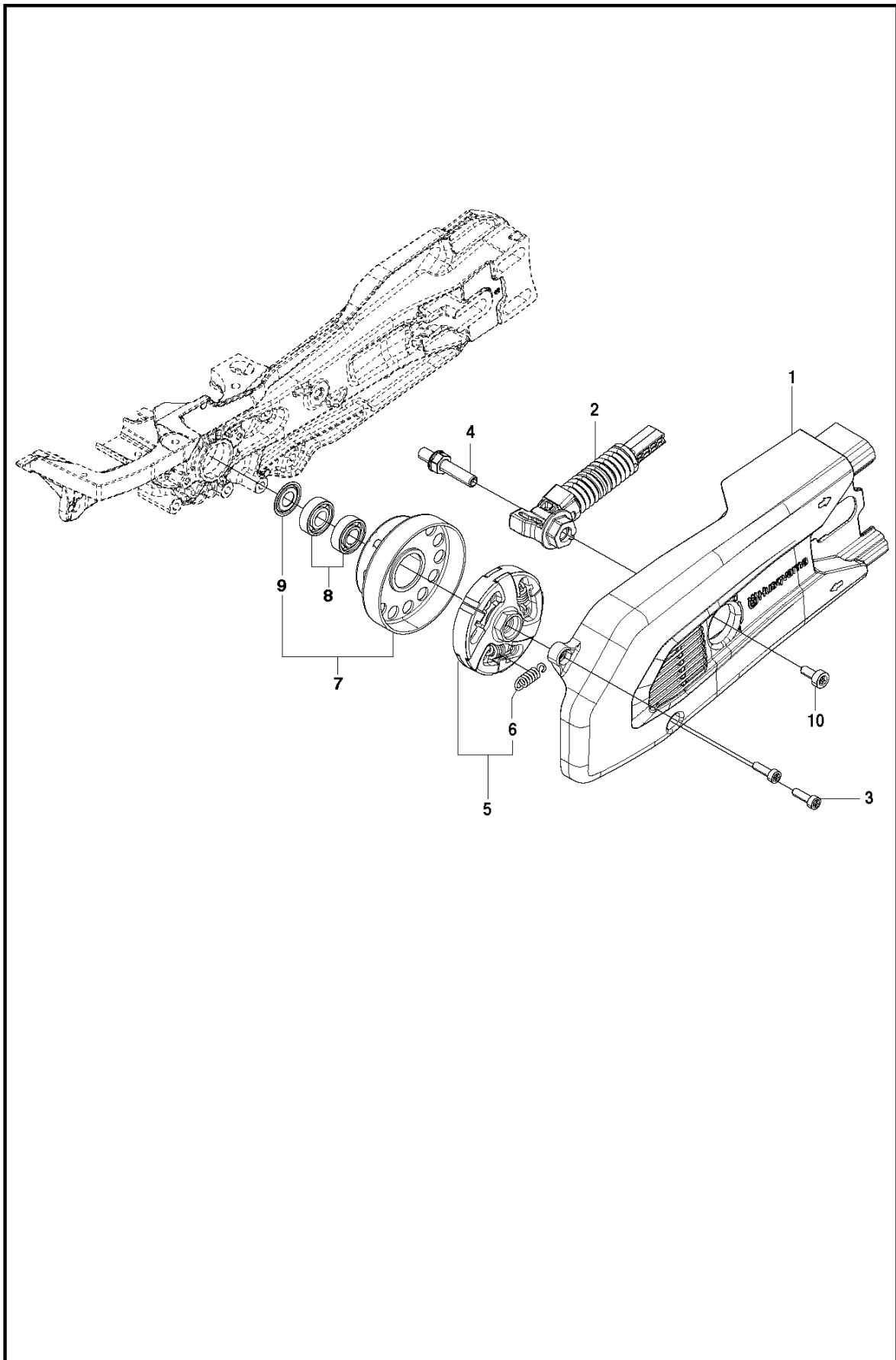




## POWER CUTTERS

---

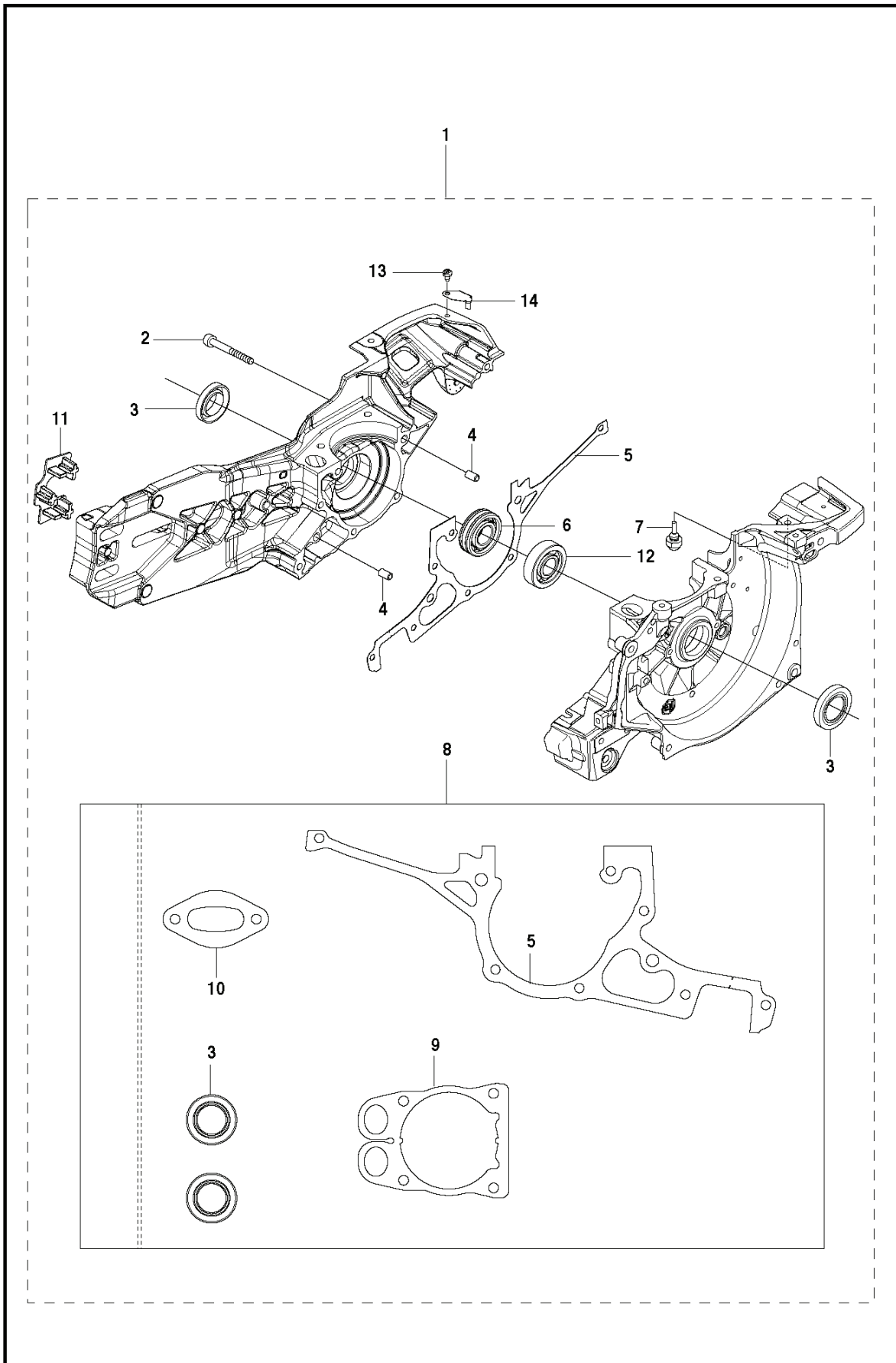
PXM_REF	PXM_PARTNO	DESCRIPTION	PXM_REMARK	QTY.
1	505283306	HOSE CLAMP		1
2	506414101	INLET PIPE		1
3	544150101	FLANGE		1
4	503215316	SCREW ITXSCM		2
5	544113901	CONSOLE		1
6	503215330	SCREW ITXSCM		1
7	506414201	PLATE		1
8	584913001	CARBURETTOR		1
9	505148401	LEVER		1
10	576490401	THROTTLE CABLE ASSY		1
11	522856201	FLANGE		1
12	521926701	INLET PIPE		1
13	510243901	FILTER		1
14	501971801	SCREW ITXSCM		2
15	586062101	CHISEL GUIDE		1
16	506232011	CHOKE		1
17	506272501	WEAR PROTECTION		1
18	502445801	GASKET KIT		1
19	502445903	REPAIR KIT		1



## POWER CUTTERS

---

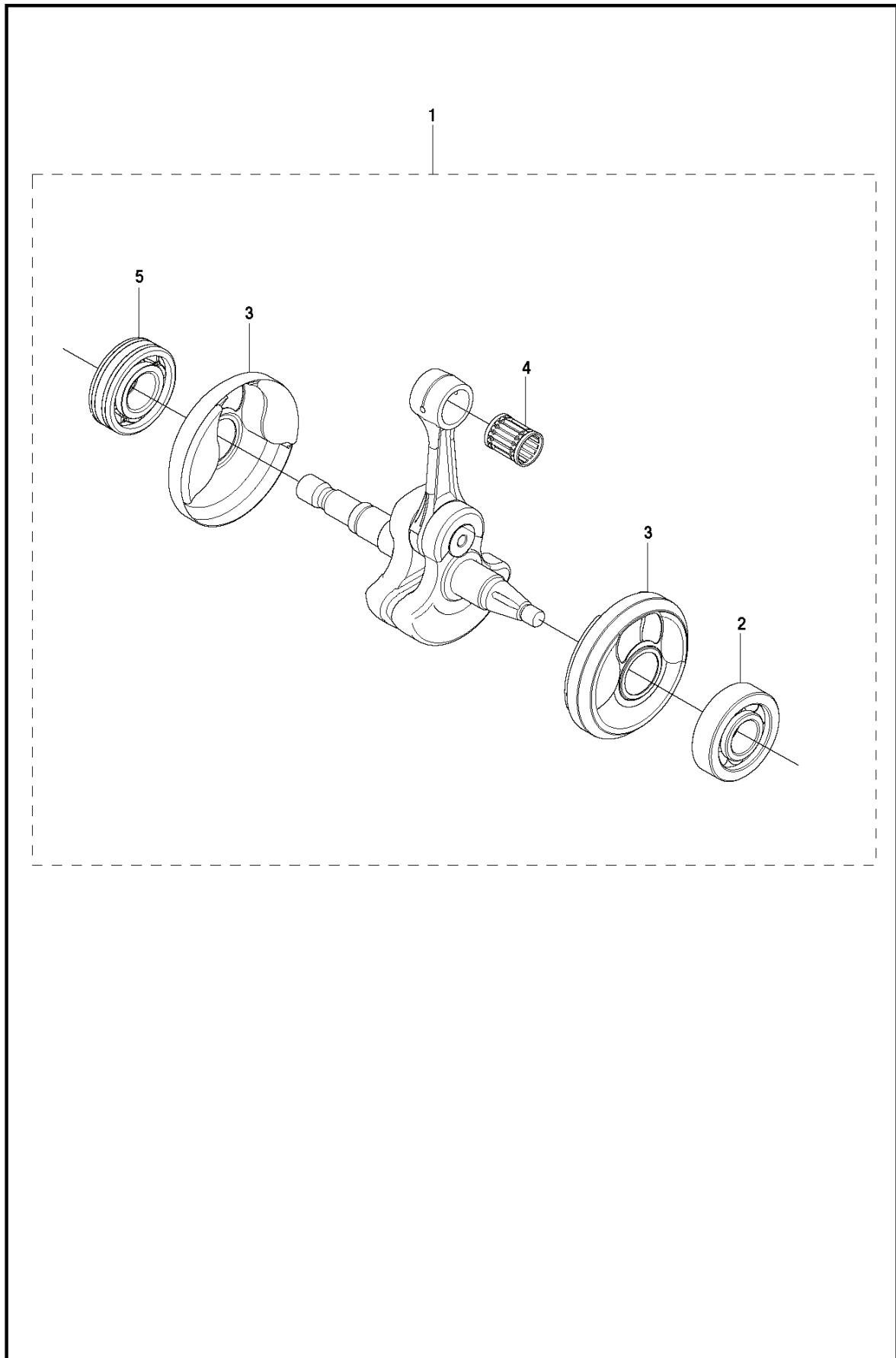
PXM_REF	PXM_PARTNO	DESCRIPTION	PXM_REMARK	QTY.
1	586099501	BELT GUARD ASSY		1
2	583842201	BELT TENSIONER ASSY		1 1
3	503215321	SCREW ITXSCM		2
4	583851601	PIVOT PIN		1
5	503701501	CLUTCH ASSY		1
6	588421501	CLUTCH SPRING		3 5
7	586308701	DRIVING PULLEY ASSY	"14"	1
7	586308702	DRIVING PULLEY ASSY	"16"	1
8	525831801	BALL BEARING	1 piece per package	2 7
9	506316901	DUST COVER		1 7
10	501981001	SCREW ITXSCM		1



## POWER CUTTERS

---

PXM_REF	PXM_PARTNO	DESCRIPTION	PXM_REMARK	QTY.
1	588992801	CRANKCASE		1
2	503215349	SCREW ITXSCM		7 1
3	503260204	SEALING RING		2 1.8
4	501270801	GUIDE BUSHING		2 1
5	577988901	GASKET		1 1.8
6	588637001	BALL BEARING		1 1
7	522856101	RUBBER BUSHING		1 1
8	544229807	GASKET KIT		1 1
9	579340001	GASKET		1 1.8
10	585280901	GASKET		1 1.8
11	586760901	RUBBER SHOE		1 1.8
12	503250002	BALL BEARING		1 1
13	525887403	SCREW CITXPANT		0
14	582123301	WEAR PROTECTION		0

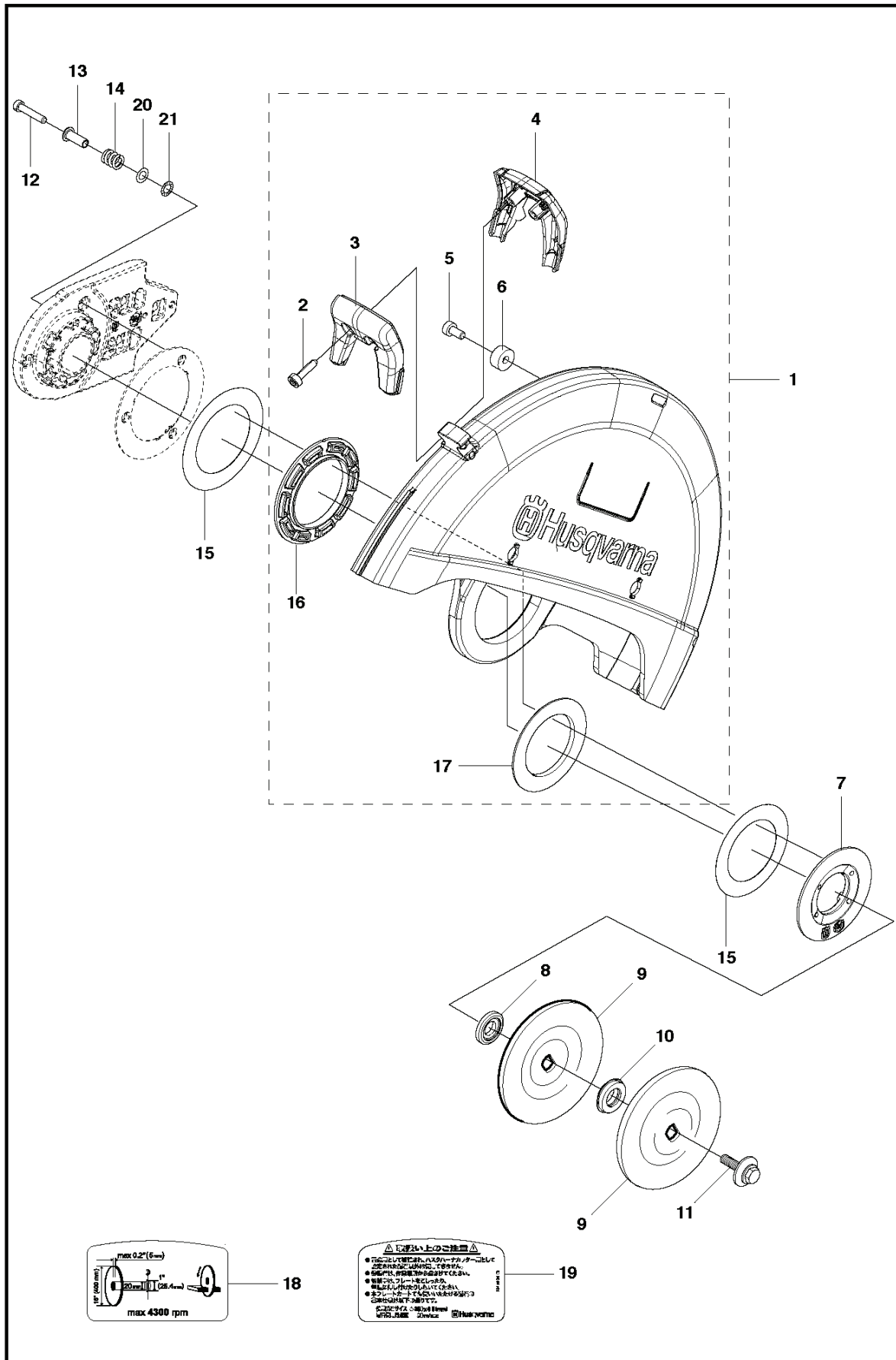


## POWER CUTTERS

---

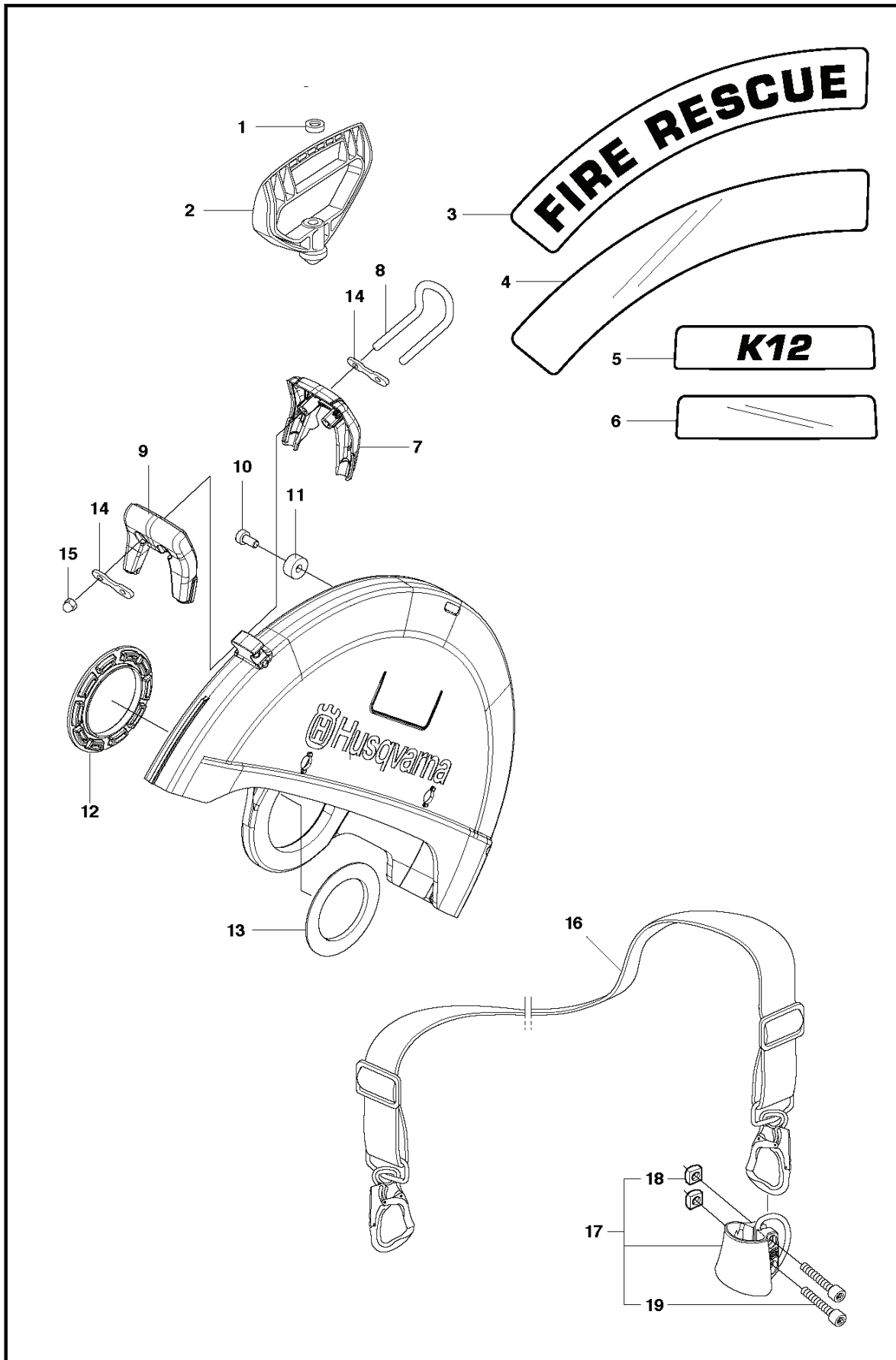
PXM_REF	PXM_PARTNO	DESCRIPTION	PXM_REMARK	QTY.
1	574267602	CRANKSHAFT ASSY		1
2	503250002	BALL BEARING		1 1
3	506414401	CUP		2 1
4	503256101	NEEDLE BEARING		1 1
5	588637001	BALL BEARING		1 1





POWER CUTTERS

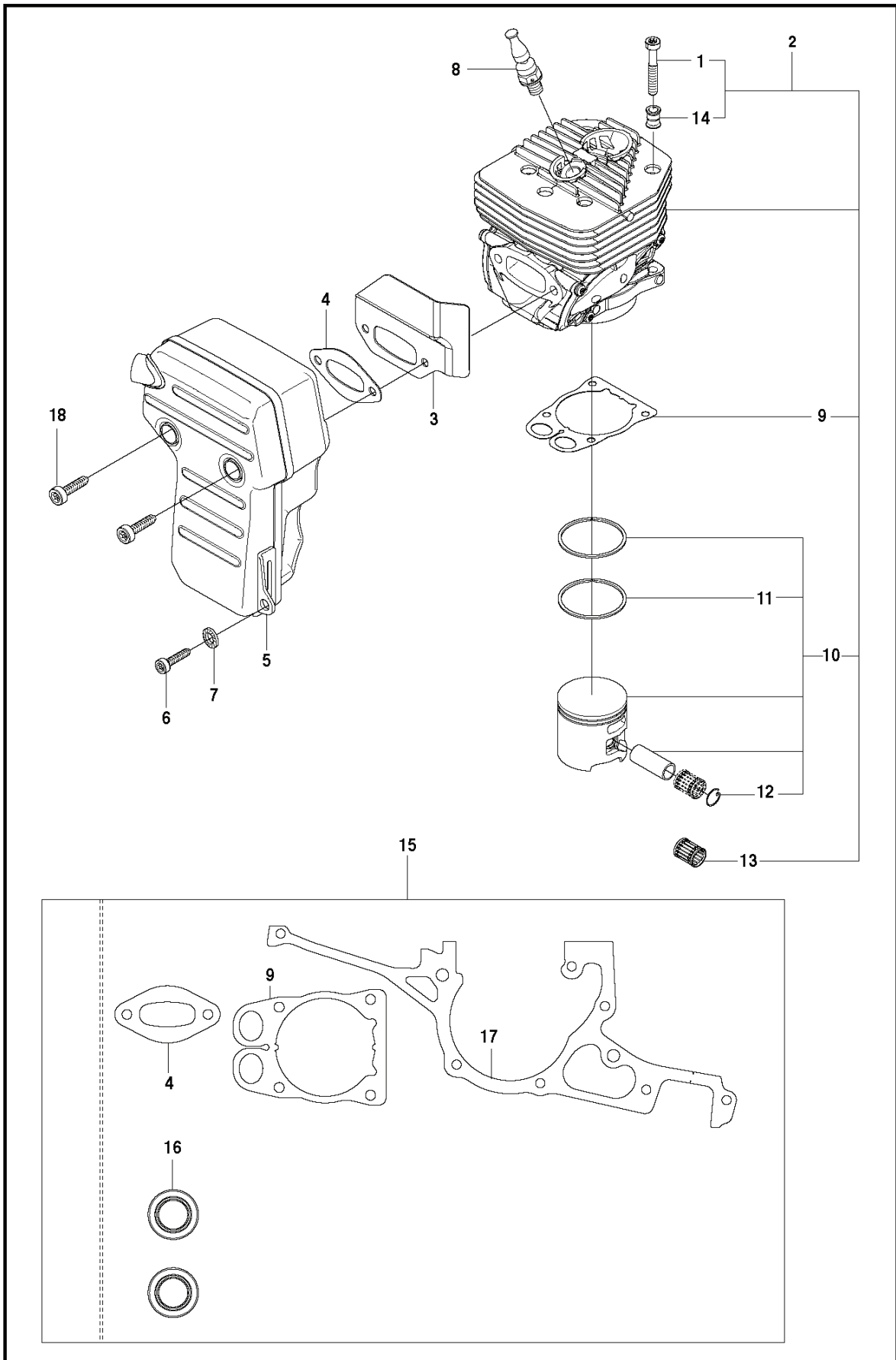
PXM_REF	PXM_PARTNO	DESCRIPTION	PXM_REMARK	QTY.	
1	581351904	WHEEL GUARD	"14"	1	
1	581351906	WHEEL GUARD	"16"	1	
2	504909414	SCREW ITXSCT		2	1
3	578190901	HANDLE HALF		1	1
4	578760901	HANDLE HALF		1	1
5	504909410	SCREW ITXSCT		1	1
6	581620301	STOP		1	1
7	584437701	DISC		1	
8	584438301	SUPPORT FLANGE		1	
9	583874402	FLANGE	Diam 105mm	1	
9	506070902	FLANGE WASHER	"Diam 119mm, Japan 14"/16"	1	
10	578398201	BUSHING	Diam 20/25.4mm	1	
10	581605403	BUSHING	Diam 30.5mm	1	
10	506379622	KIT	Diam 22.2mm	1	
11	588655701	SCREW		1	
12	544218430	SCREW ITXSCT		4	
13	584438201	SLEEVE	"14", Shiny"	4	
13	584438202	SLEEVE	"16", Black"	4	
14	584438101	SPRING		4	
15	584437801	SHIM		2	
16	584437901	LINING		1	1
17	584438001	LINING		1	1
18	581117706	DECAL	"14"	1	
18	581117707	DECAL	"16"	1	
19	584992602	DECAL	"14"	1	
19	584992603	DECAL	"16"	1	
20	582233101	WASHER		1	
21	582233201	WASHER		1	



## POWER CUTTERS

---

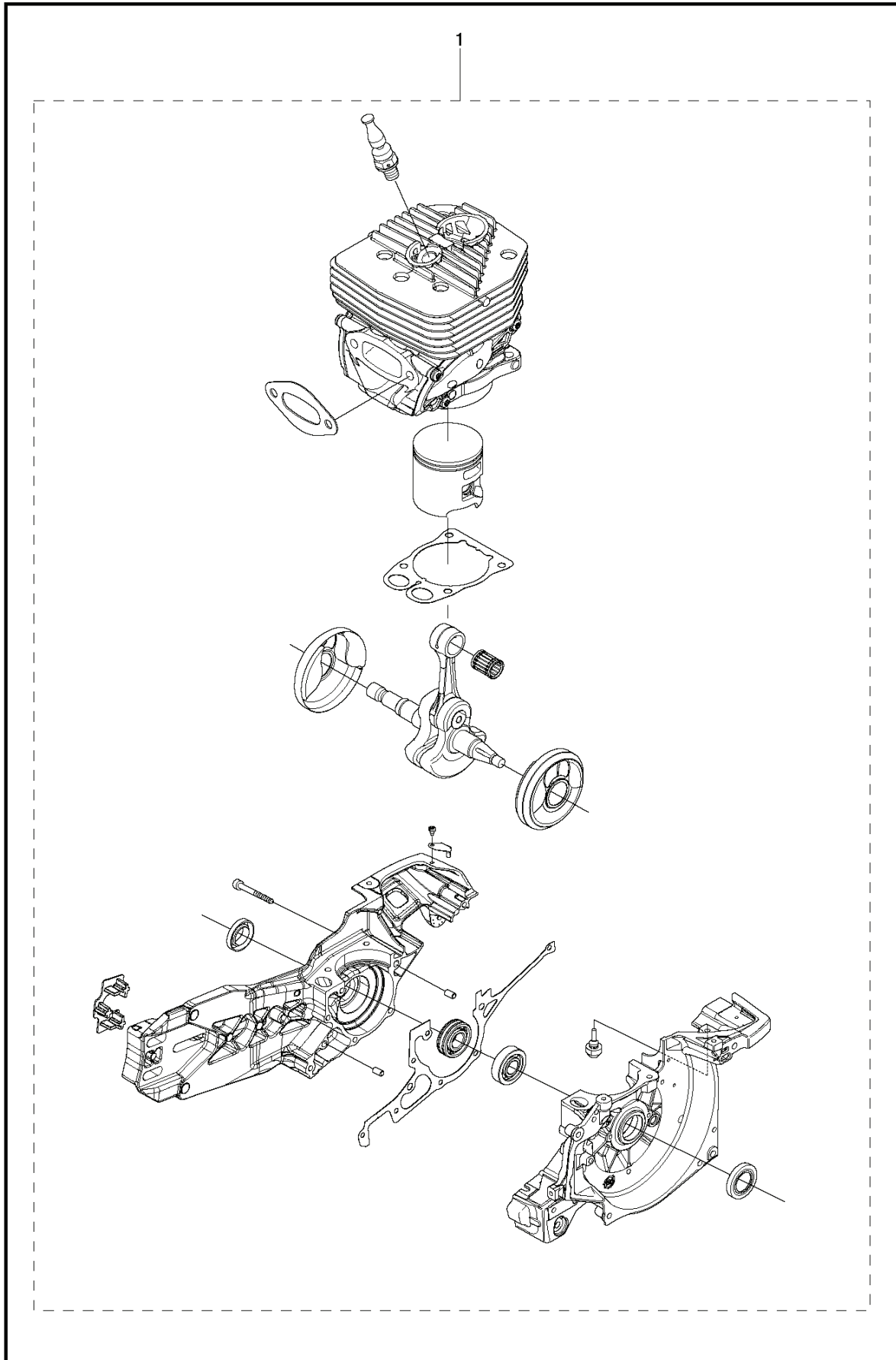
PXM_REF	PXM_PARTNO	DESCRIPTION	PXM_REMARK	QTY.
1	503142902	WASHER		1
2	506297502	STARTER HANDLE		1
3	588987401	DECAL		2
4	588987501	DECAL		1
5	588987602	DECAL	US ONLY	1
6	588987601	DECAL		1
7	578760902	HANDLE HALF		1
8	588754601	ROD		1
9	578190901	HANDLE HALF		1
10	504909410	SCREW ITXSCT		1
11	581620301	STOP		1
12	584437901	LINING		1
13	584438001	LINING		1
14	588754701	HANDLE BRACKET		1
15	588908101	NUT CAP		2
16	586456001	SHOULDER STRAP		1
17	588731402	BRACKET		1
18	503226504	SQUARE NUT		2
19	503215312	SCREW ITXSCT		2



## POWER CUTTERS

---

PXM_REF	PXM_PARTNO	DESCRIPTION	PXM_REMARK	QTY.
1	544218440	SCREW ITXSCM		4
2	586351001	CYLINDER ASSY	Incl. 9 - 10, 13	1
3	577997602	HEAT DEFLECTOR		1
4	585280901	GASKET		1
5	587631101	MUFFLER ASSY		1
6	503215325	SCREW ITXSCM		1
7	503230402	WASHER		1
8	584912201	DECOMPRESSION VALVE		1
9	579340001	GASKET	Paper gasket	1
10	506413202	PISTON	Incl. 11 - 12	1
11	503289035	PISTON RING		2
12	737441300	CIRCLIP		2
13	503256101	NEEDLE BEARING		1
14	578119101	SLEEVE		4
15	544229807	GASKET KIT	Incl. 4, 9, 15 - 17	1
16	503260204	SEALING RING		2
17	577988901	GASKET		1
18	544218401	SCREW ITXSCM		2

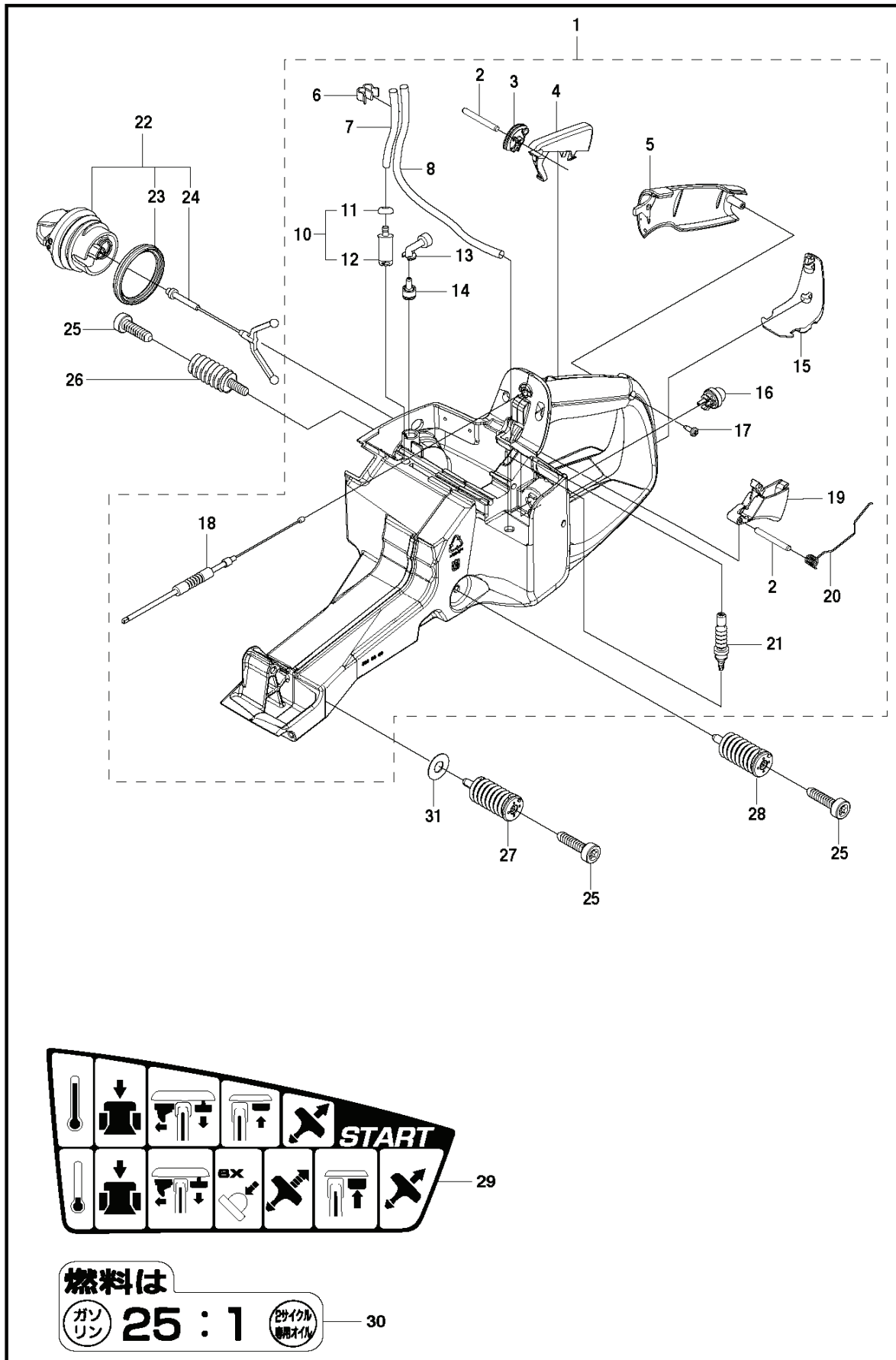


## POWER CUTTERS

---

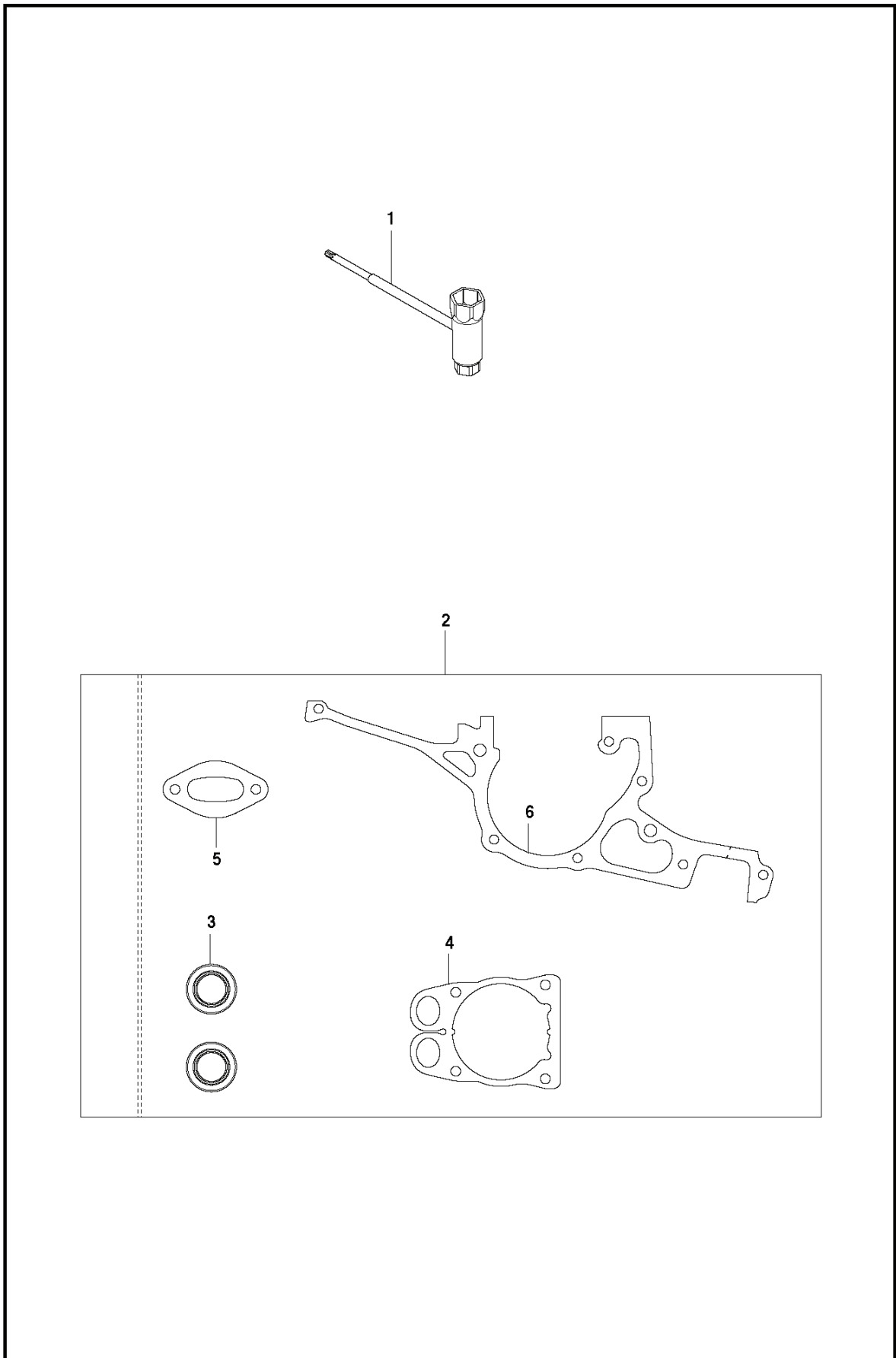
PXM_REF	PXM_PARTNO	DESCRIPTION	PXM_REMARK	QTY.
1	588992802	CRANKCASE		1





POWER CUTTERS

PXM_REF	PXM_PARTNO	DESCRIPTION	PXM_REMARK	QTY.
1	574505804	FUEL TANK ASSY		1
2	720124020	PARALLEL PIN		2
3	537208501	LEVER		1
4	510255201	THROTTLE LOCKOUT		1
5	537205601	COVER		1
6	574444201	CLIP		1
7	581756202	FUEL HOSE		1
8	537042418	FUEL HOSE		1
10	506264111	FUEL FILTER		1
11	506271101	HOSE CLAMP		1
12	506264101	FUEL FILTER		1
13	576900401	TANK VENT ASSY		1
14	537359501	TANK VENT ASSY		1
15	502471601	GROUND SUPPORT		1
16	540054901	PURGE		1
17	525887402	SCREW CITXPANT		1
18	576490401	THROTTLE CABLE ASSY		1
19	502471801	THROTTLE CONTROL		1
20	537209801	SPRING		1
21	576139901	FUEL HOSE		1
22	522620001	TANK CAP ASSY		1
23	589241101	GASKET		1
24	503578901	HOLDER		1
25	544061201	SCREW ITXSCM		3
26	537210309	ANTIVIBRATION ELEMENT		1
27	537210310	ANTIVIBRATION ELEMENT		1
28	537210305	ANTIVIBRATION ELEMENT		1
29	525572002	DECAL		1
30	506313001	LABEL		1
31	503230080	WASHER		1



## POWER CUTTERS

---

PXM_REF	PXM_PARTNO	DESCRIPTION	PXM_REMARK	QTY.
1	506382601	TOOL		1
2	544229807	GASKET KIT		1
3	503260204	SEALING RING		2 3
4	579340001	GASKET		1 3
5	585280901	GASKET		1 3
6	577988901	GASKET		1 3